

AGM2

Western Innovator AGM2 Manifolds are designed and manufactured according to NFPA-99 2012 safety and performance requirements. Easy-to-read analog gauges indicate the line and individual bank pressures.

A green light means the service bank is functioning and the reserve bank is ready for service. A red light alerts the user that one or both banks are depleted. A simple rotation of the control lever resets the unit.

specifications

- NFPA Compliant, Automatic Analog System
- CSA Approved Power Supply included
- Maximum inlet pressure: 3000 psig (2000 for CO₂ & N₂O systems)
- Maximum Flow:

AGM2	1200 scfh
AGM2 (CO ₂ & N ₂ O)	35 scfh
AGM2HL (CO ₂ & N ₂ O)	500 scfh
AGM2HP	1200 scfh
- Internal adjustable dual line regulators

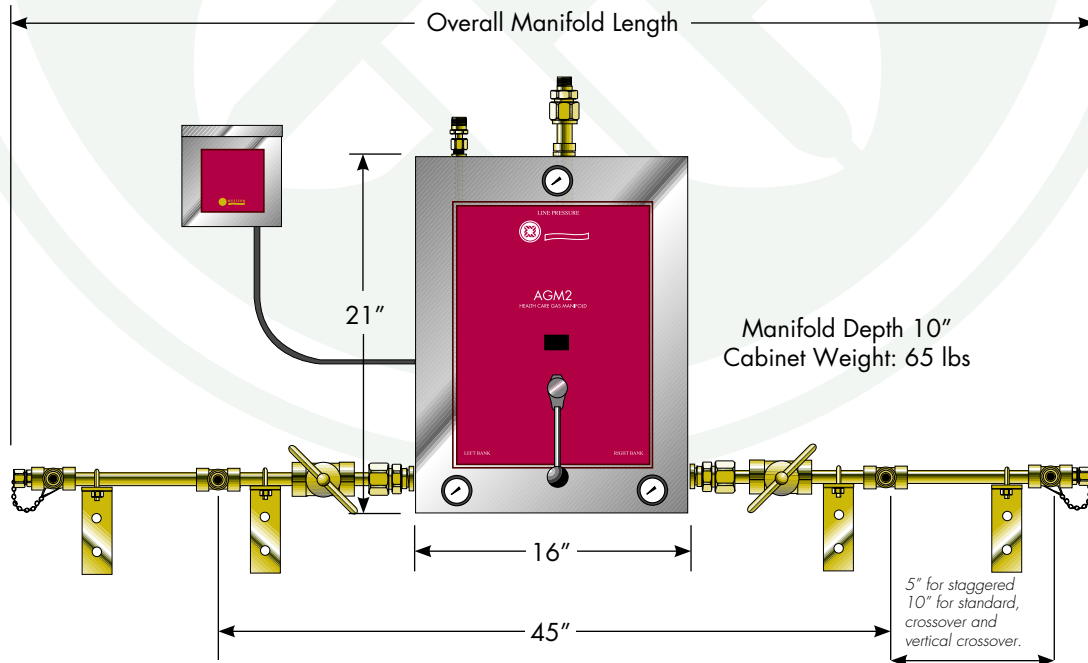
AGM2 & AGM2HL	30–55 psig
AGM2HP	100–200 psig
- Manifold outlet: 1/2" NPT male
- Relief valve outlet: 1/2" NPT male
- Oxygen Pigtails: NFPA 99 compliant, rigid copper, with check valves
Other Gas Pigtails: NFPA 99 compliant, 24" flexible stainless steel with check valves
- 1/2" Brass, silver brazed headers
- Digital readout can display psig, kPa or Bar
- Connects to remote alarms systems (Up to 3 amps 30 VDC or 2 amps 250 VAC)



HOW TO ORDER

Specify: Control Type (V)–Service (W)–Number of Cyl's (X)			
<i>Example 1: AGM2-7-6 represents AGM2 with nitrogen gas service with a standard control type and 6 cylinders</i>			
CONTROL TYPE (V)	GAS SERVICE (W)		# OF CYL'S (X)
AGM2 (30 to 55 psig)	(2) Air	CGA-346	
AGM2HL (30 to 55 psig) (For CO ₂ and N ₂ O– includes 500 scfh heater)	(4) Carbon Dioxide	CGA-320	
	(5) Helium	CGA-580	
	(7) Nitrogen	CGA-580	
	(8) Nitrous Oxide	CGA-326	
	(9) Oxygen	CGA-540	
AGM2HP (100 to 200 psig)			

AGM2 series



AGM2-9-4 = Oxygen (9=CGA-540) Manifold for 4 Cylinders

Design Lengths

TOTAL NO. OF CYLINDERS	4	6	8	10	12	16	20
Standard (10" Centers) Overall Manifold Length	5'-11" (1.80m)	7'-7" (2.31m)	9'-3" (2.82m)	10'-11" (3.33m)	12'-7" (3.84m)	15'-11" (4.85m)	19'-3" (5.87m)
Staggered Design (5" Centers) Overall Manifold Length	5'-1" (1.55m)	5'-11" (1.80m)	6'-9" (2.06m)	7'-7" (2.31m)	8'-5" (2.57m)	10'-1" (3.07m)	11'-9" (3.58m)
Vertical Crossover (10" Centers) Overall Manifold Length	4'-3" (1.30m)	N/A	5'-11" (1.80m)	N/A	7'-7" (2.31m)	9'-3" (2.82m)	10'-11" (3.33m)
Crossover (10" Centers) Overall Manifold Length	4'-3" (1.30m)	N/A	5'-11" (1.80m)	N/A	7'-7" (2.31m)	9'-3" (2.82m)	10'-11" (3.33m)

Cylinders (X)-Header Configuration (Y)-Mounting (Z)

Standard header configuration of 3 cylinders per side which is mounted on the wall.

HEADER CONFIGURATION (Y)	MOUNTING (Z)
<p>BLANK - Standard 10" on Center</p> <p>V - Vertical crossover 10" on Center</p> <p>S - Staggered 5" on Center</p> <p>C - Crossover 10" on Center</p> <p>U-Shaped - Drawing Required</p> <p>L-Shaped - Drawing Required</p>	<p>BLANK = Wall mount</p> <p>F = Floor mounted</p>

