

**MI(A)-XXX-P  
Preset  
Regulator**

**Single Stage, Yoke,  
Medical Preset  
Regulator**



**WESTERN**  
a Scott Fetzer company

G A S C O N T R O L T E C H N O L O G Y

**MATERIALS OF CONSTRUCTION**

DESCRIPTION	Wetted Component	MATERIAL
Body	Y	UNS C36000 Brass - Nickel Plated
Bonnet	N	Chrome Plated Zinc
Diaphragm	Y	Fairprene ND-0012
Safety O-ring	Y	Neoprene - 70 Duro
Diaphragm and Safety Components	Y	UNS C36000 Brass
Slip Ring	N	Mylar
Diaphragm Back-up Plate	N	Zinc Plated Cold Rolled Steel
Body Filters	Y	Electroless Ni Plated, Sintered Porous Bronze
Gauge	Y	Copper Alloy (Brass)
Seat	Y	PCTFE (Neoflon) or PEEK*
Seat Holder and Bushing	Y	UNS C36000 Brass
Valve and Plunger	Y	UNS C36000 Brass
Anti-vibrator	Y	UNS S30100 SST
Valve Spring	Y	UNS S17700 SST
Valve Ball	Y	UNS S44000 SST
Inlet and Outlet Fittings	Y	UNS C36000 Brass – Chrome Plated
Lubricant	Y	Krytox GPL-206
Pivots	N	Zinc Plated Steel
Delivery and Safety Springs	N	Zinc Plated Music Wire
Set Screw	N	Black Oxide Coated Steel
Yoke Filter	Y	Sintered Porous Bronze, Grade 46 HP
Yoke Gasket	Y	Fluorocarbon and Brass
Yoke Fitting	Y	Chrome Plated UNS C36000 Brass

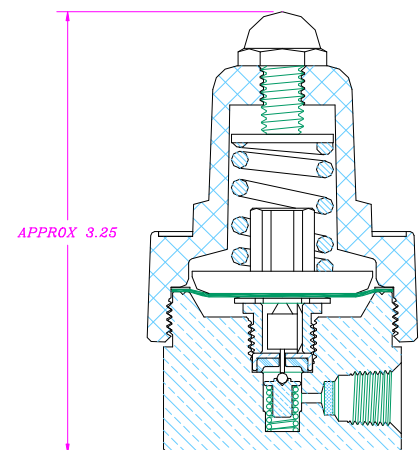
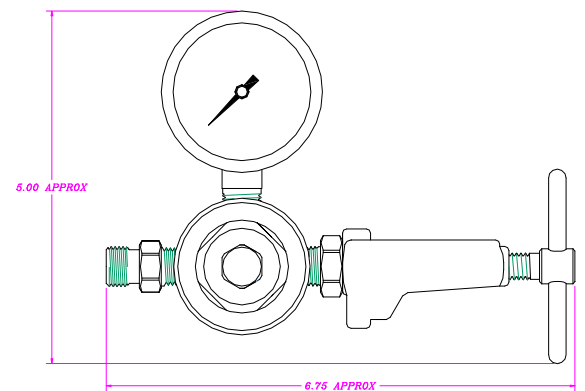
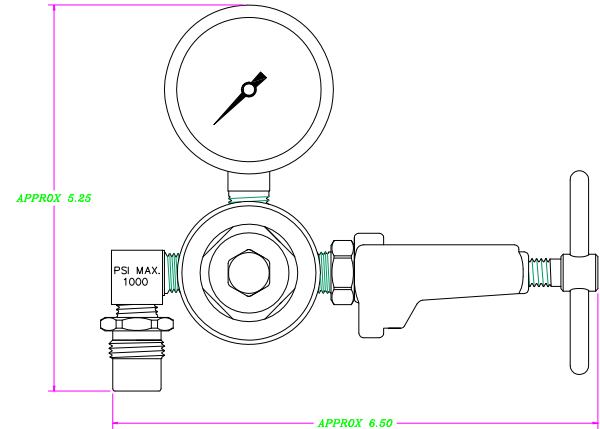
\* PEEK Seat for CO<sub>2</sub> and N<sub>2</sub>O regulator applications only.

**PHYSICAL CHARACTERISTICS**

- Approx Dimensions: 6.75" Wide X 5.25" Tall x 3.25" Deep
- Three ¼ - 18 NPT Ports  
¼ - 18 NPT Inlet Port @ 0°  
¼ - 18 NPT HP Gauge Port @ 90°  
¼ - 18 NPT LP Outlet Port @ 180°
- 20 – 30 µ Filtration in HP Ports
- CGA-XXX Pin Indexed Yoke Inlet Connection, 40 - 70 µ Filtration
- Shipping Weight: 2 lbs. 5 ozs.
- Available CGA Inlet (Yoke) / Outlet (DISS) Connections

Gas	CO2	N2O	Air	Mixed	O2	N2
Inlet (CGA)	940	910	950	500	870	960
Outlet (DISS)	1080-A	1040-A	1160-A	1020	1240	1120-A

- 2" Inlet Pressure Gauge, Range: 0-4000 psig (0-2000 psig for N<sub>2</sub>O models)



**MI(A)-XXX-P  
Preset  
Regulator**

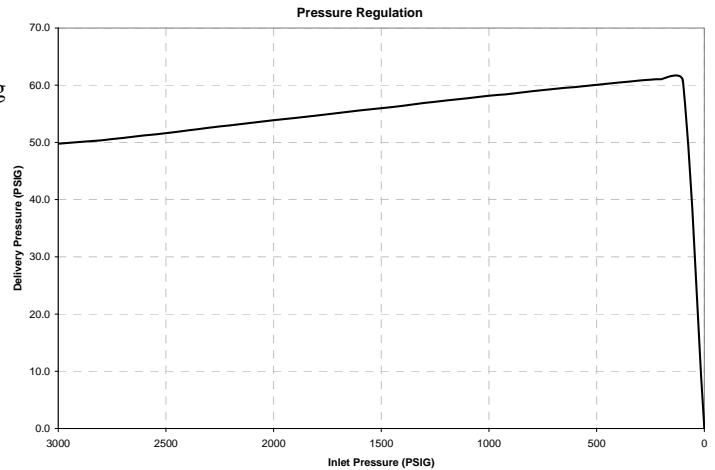
# Single Stage, Yoke, Medical Preset Regulator



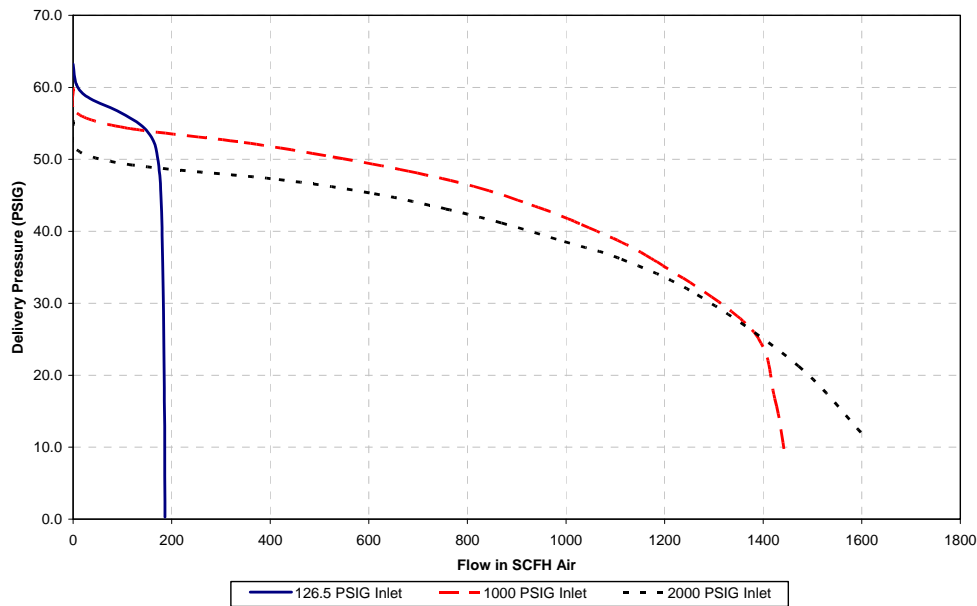
G A S C O N T R O L T E C H N O L O G Y

**PERFORMANCE SPECIFICATIONS**

- Maximum Rated Inlet Pressure: 3000 psig
- Preset Delivery Pressure: 50 - 56 psig static @ 2000 - 2200 psig
- Operating Temperature Range: 0°F to 120°F (-18°C to 49°C)
- Storage Temperature Range: -40°F to 140°F (-40°C - 60°C)
- Overall External Leak Rate: Bubble Tight
- Safety Relief Pressure: 150 - 195 psig  
Relief Valve Cv @ 2Prv (~ 360 psig): 0.22
- Pressure Regulation Coefficient (i): 0.4
- Static Increment: 2.4 psig
- Overall Flow Coefficient (C<sub>v</sub>): 0.03  
Outlet Cv: 0.40
- Flow Regulation: 7.0 psig
- Oxygen Units tested to ASTM G175 Phase 1
- Maximum Rated Flow: See Table Below
- Device Life: 10 years.



**Flow Regulation**



Static Preset Delivery Pressure (psig) (2200 PSIG Inlet)	Minimum Rated Inlet Pressure (psig)	Max rated flow at min rated inlet pressure (SCFH AIR)	Max rated flow at 1000 psig inlet pressure (SCFH AIR)	Max rated flow at 2000 psig inlet pressure (SCFH AIR)
50 -56	126.5	150	1150	1300

**Western reserves the right to make design changes without prior notice.**

For more technical information or assistance in ordering please contact Western Customer Service at 1.800.783.7890 or 440.871.2160.