

**M1-XXX-FM(H)
Flowmeter
Regulator**

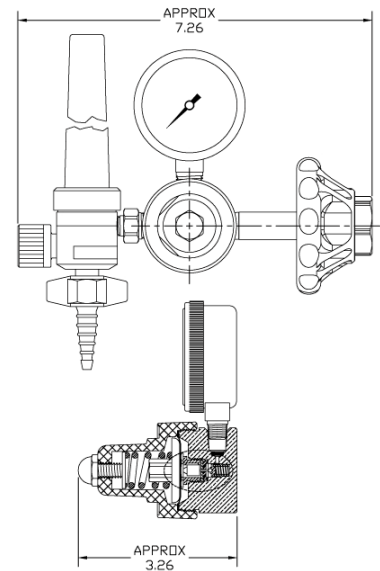
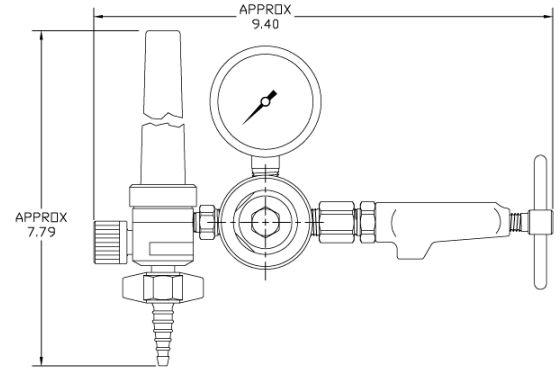
**Single Stage
Flowmeter Style
Regulator**



GAS CONTROL TECHNOLOGY

MATERIALS OF CONSTRUCTION

DESCRIPTION	Wetted Component	MATERIAL
Body	Y	UNS C36000 Brass - Chrome Plated
Bonnet	N	Chrome Plated Zinc
Diaphragm	Y	Fairprene ND-0012
Seat	Y	KEL-F
Valve Spring	Y	UNS S17700 SST
Valve Ball	Y	UNS S44000 SST
Regulator Spring	N	Music Wire



PHYSICAL CHARACTERISTICS

- Approx Dimensions: AS SHOWN
- Available CGA Inlet (Yoke) / Outlet Connection

Gas	CO ₂	Air	O ₂	
Model	M1-320-12FM(H)	M1-346-15FM(H)	M1-540-8FM(H)	M1-540-15FM(H)
Inlet (CGA)	320	346	540	
Outlet (DISS)	1080	1160	1240	
Flow Rates (LPM)	0-12	0-15	0-8	0-15

Gas	CO ₂	Air	O ₂	
Model	M1-940-12FM	M1-870-8FM	M1-870-15FM	M1-950-15FM
Inlet (CGA)	940	950	870	
Outlet (DISS)	1080	1160	1240	
Flow Rates (LPM)	0-12	0-8	0-15	0-15

- 2" Inlet Pressure Gauge, Range: 0-4000 psig
- Maximum Inlet Pressure: 3,000 psi

Western reserves the right to make design changes without prior notice.

For more technical information or assistance in ordering please contact Western Customer Service at 1.800.783.7890 or 440.871.2160.