

**M1-XXX-FG(H)
Adjustable
Regulator**

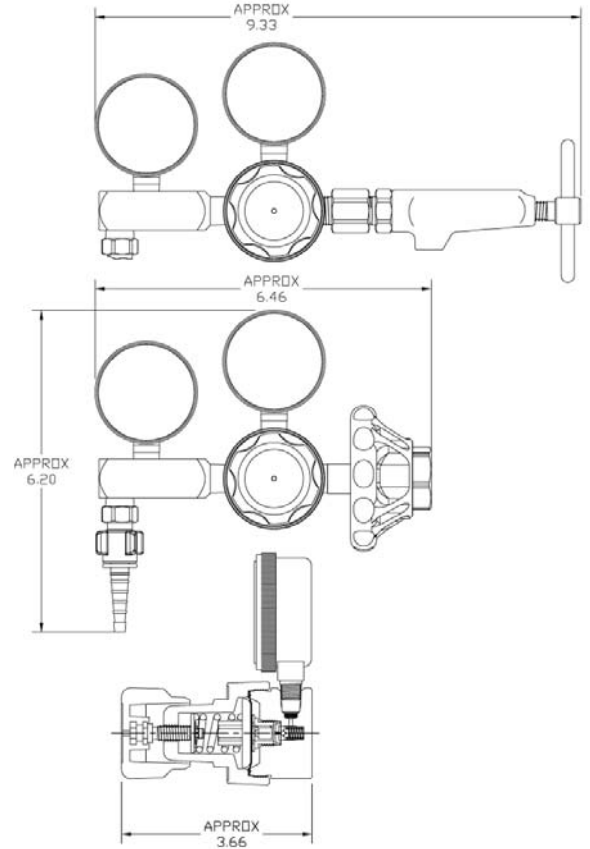
**Single Stage,
Pressure Regulator**



G A S C O N T R O L T E C H N O L O G Y

MATERIALS OF CONSTRUCTION

DESCRIPTION	Wetted Component	DESCRIPTION
Body	Y	UNS C36000 Brass – Chrome Plated
Bonnet	N	Chrome Plated Zinc
Diaphragm	Y	Fairprene ND-0012
Seats	Y	KEL-F
Valve Spring	Y	UNS S17700 SST
Valve	Y	UNS C36000 Brass
Valve Ball	Y	UNS S44000 SST
Regulator Spring	N	Music Wire



PHYSICAL CHARACTERISTICS

- Dimensions: 7.32” Wide x 6.63” Tall x 3.5” Deep
- Available (Non-Yoke) CGA Inlet / Outlet Connections

Gas	O ₂					
Model	M1-540-5FG(H)	M1-540-8FG(H)	M1-540-15FG(H)	M1-870-5FG	M1-870-8FG	M1-870-15FG
Inlet (CGA)	540			870		
Flow Rates (LPM)	0-5	1-8	2-15	0-5	1-8	2-15
Outlet (DISS)	1240					

- 2" Inlet Pressure Gauge, Range: 0-4000 psig
- 2" Outlet Pressure Gauge, Range: 0-120 psig

Western reserves the right to make design changes without prior notice.

For more technical information or assistance in ordering please contact Western Customer Service at 1.800.783.7890 or 440.871.2160.