

**M2-XXX-FG(H)
Preset Regulator**

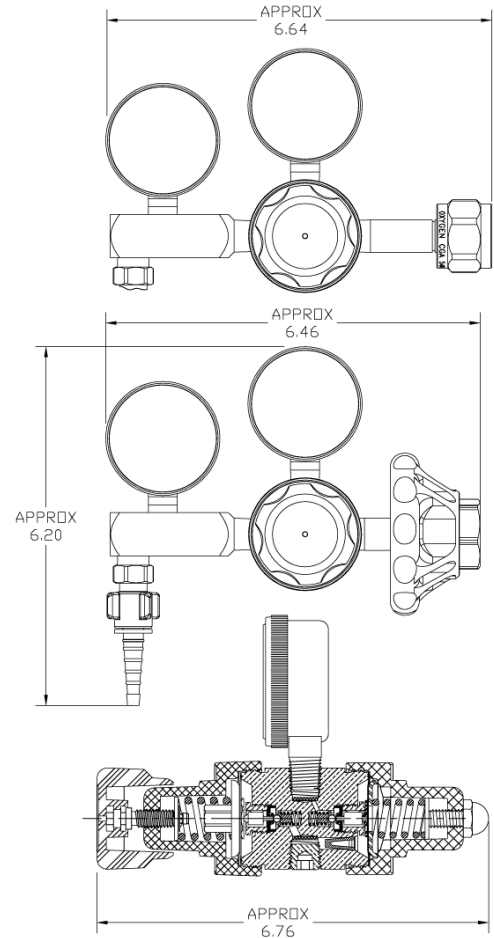
Dual Stage Preset Pressure Regulator



GAS CONTROL TECHNOLOGY

MATERIALS OF CONSTRUCTION

DESCRIPTION	Wetted Component	DESCRIPTION
Body	Y	UNS C36000 Brass - Chrome Plated
Bonnet	N	Chrome Plated Zinc
Diaphragm	Y	Fairprene ND-0012
Seat	Y	KEL-F
Valve Spring	Y	UNS S17700 SST
Valve	Y	UNS C36000 Brass
Valve Ball	Y	UNS S44000 SST
Regulator Spring	N	Music Wire



PHYSICAL CHARACTERISTICS

- Approx Dimensions: 6.64" Wide x 6.20" Tall x 6.76" Deep
- Available CGA Inlet / Outlet (DISS) Connections

Gas	O ₂					
Model	M2-540-5FG(H)	M2-540-8FG(H)	M2-XXX-15FG(H)	M2-870-5FG	M2-870-8FG	M2-870-15FG
Inlet (CGA)	540			870		
Outlet (DISS)	1240					
Flow Rates (LPM)	0-5	0-8	0-15	0-5	0-8	0-15

- 2" Inlet Pressure Gauge, Range: 0-4000 psig

Western reserves the right to make design changes without prior notice.

For more technical information or assistance in ordering please contact Western Customer Service at 1.800.783.7890 or 440.871.2160.