

**MR-XXX-FG  
Adjustable  
Regulator**

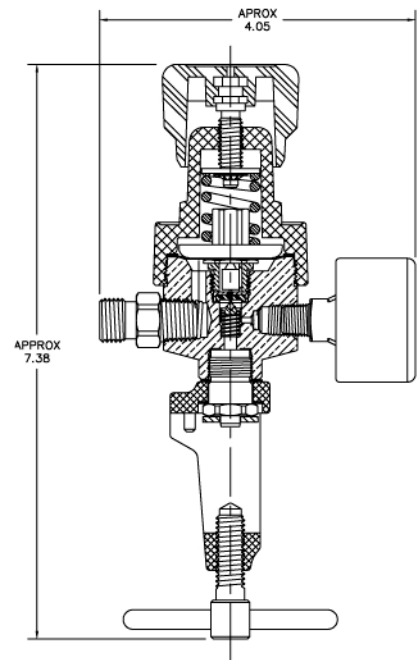
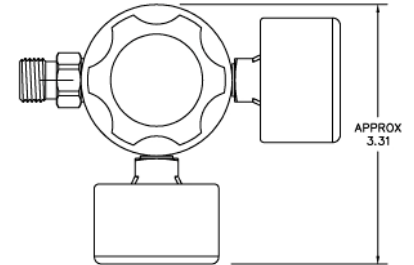
**Single Stage,  
Rear Entry Adjustable  
Regulator**



GAS CONTROL TECHNOLOGY

**MATERIALS OF CONSTRUCTION**

DESCRIPTION	Wetted Component	DESCRIPTION
Body	Y	UNS C36000 Brass – Chrome Plated
Bonnet	N	Chrome Plated Zinc
Diaphragm	Y	Fairprene ND-0012
Seat	Y	KEL-F
Valve Spring	Y	UNS S17700 SST
Valve	Y	UNS C36000 Brass
Valve Ball	Y	UNS S44000 SST
Regulator Spring	N	Music Wire



**PHYSICAL CHARACTERISTICS**

- Dimensions: 3.31” Wide x 4.05” Tall x 7.38” Deep
- Available CGA Inlet / Outlet Connection

Gas	O <sub>2</sub>	
Model	MR-870-8FG	MR-870-15FG
Inlet (CGA)	870	
Outlet (DISS)	1240	
Flow Rates (LPM)	0-8	0-15

- 2" Inlet Pressure Gauge, Range: 0-4000 psig
- 2" Outlet Pressure Gauge, Range: 0-119 psig

**Western reserves the right to make design changes without prior notice.**

For more technical information or assistance in ordering please contact Western Customer Service at 1.800.783.7890 or 440.871.2160.