

MR-XXX-P Preset Regulator

Single Stage, Rear Entry Preset Regulator

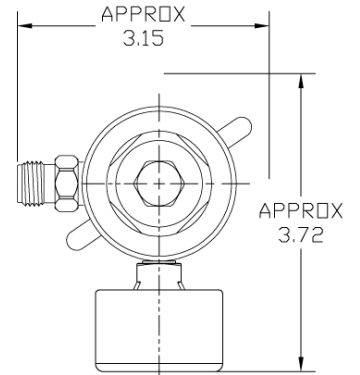


GAS CONTROL TECHNOLOGY

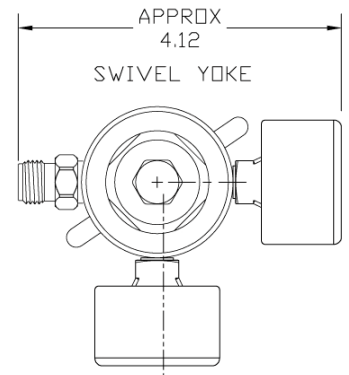
MATERIALS OF CONSTRUCTION

DESCRIPTION	Wetted Component	DESCRIPTION
Body	Y	UNS C36000 Brass - Chrome Plated
Bonnet	N	Chrome Plated Zinc
Diaphragm	Y	Fairprene ND-0012
Seats	Y	KEL-F
Valve Spring	Y	UNS S17700 SST
Valve	Y	UNS C36000 Brass
Valve Ball	Y	UNS S44000 SST
Regulator Spring	N	Music Wire (P) Chrome Silicon (PED)

MR-870-P



MR-870-PED

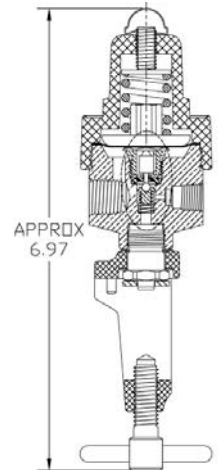


PHYSICAL CHARACTERISTICS

- Dimensions: AS SHOWN
- Available CGA Inlet / Outlet Connection

Gas	O ₂	
Model	MR-870-P	MR-870-PED
Inlet (CGA)	870	
Outlet (DISS)	1240	
Flow Rates	~	1/8-1 LPM

- 2" Inlet Pressure Gauge, Range: 0-4000 psig



Western reserves the right to make design changes without prior notice.

For more technical information or assistance in ordering please contact Western Customer Service at 1.800.783.7890 or 440.871.2160.