

RPB-3 Gas Saver

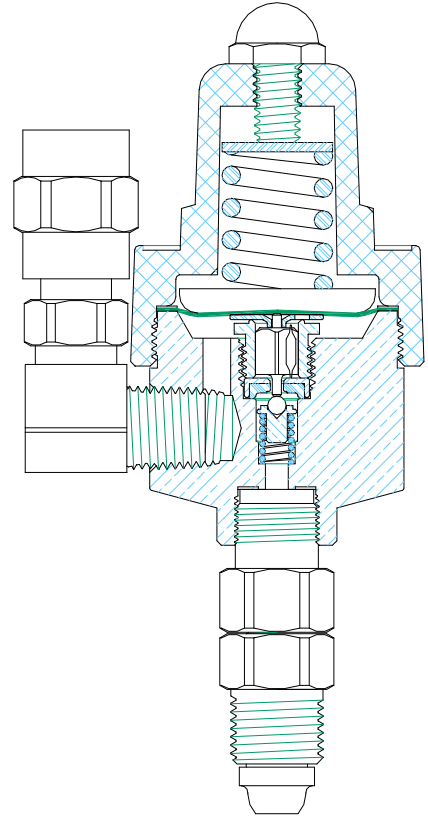
Surge Reducing Preset Regulator



GAS CONTROL TECHNOLOGY

MATERIALS OF CONSTRUCTION

DESCRIPTION	Wetted Component	MATERIAL
Body	Y	2011-T3 Anodized Aluminum
Inlet & Outlet Fittings	Y	UNS C36000 Brass
Inlet Screen	Y	UNS S30400 Stainless Steel Mesh
Diaphragm	Y	Neoprene
Back-up Plate	N	UNS S30200 SST
Valve & Bushing	Y	UNS C36000 Brass
Ball	Y	UNS S44000 SST
Seat	Y	PCTFE
Valve Spring	Y	UNS S17700 SST
Delivery Spring	N	Zinc Plated Music Wire
Bonnet	N	Zinc Ag40A
Inlet Gasket	Y	FM101 Nylon
Set Screw	N	Black Oxide Coated Steel
Pivot	N	Zinc Plated Sheet Steel



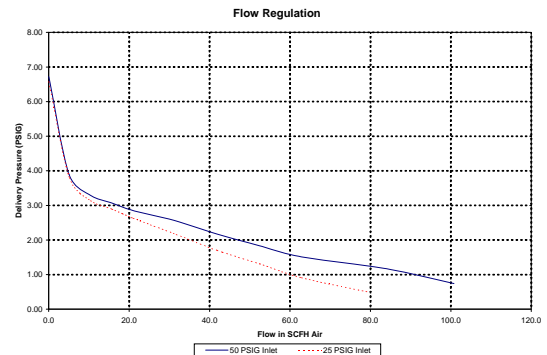
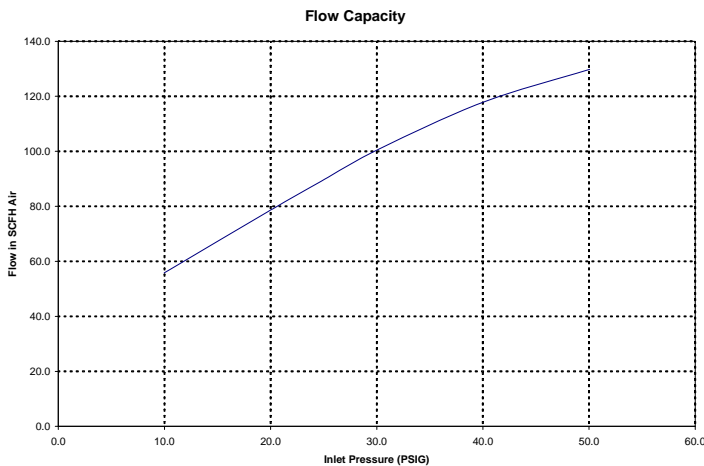
- Inlet Threads: CGA-032 ($\frac{3}{8}$ - 18 UNF 2A)
- Outlet Threads: CGA-022 ($\frac{9}{16}$ - 18 UNF-2A)
Adaptor Threads: CGA-032 ($\frac{3}{8}$ - 18 UNF 2B)
- Dimensions: 5 1/2" Long by 3" Outer Diameter
- Shipping Weight: 1.2 ozs
- Inlet Filtration: 100 X 100 \varnothing 0.0016" SST Mesh
Nominal Filtration Rating - 140 micron
- Leak Rate: Bubble Tight
- Operating Inlet Pressure Range: 10 - 50 psig
Static Delivery Pressure: 7 PSIG Max @ 50 PSIG Inlet

Regulator Performance Characteristics

- Pressure Regulation Coefficient, i: 0.51
- Static Increment: 2.8 PSIG
- Maximum Flow Capacity: 130 SCFH Air
- Maximum Rated Flow: 80 SCFH Air @ 50 PSIG Inlet (per CGA E-4)

Gas Savings: ~ 17 in³ per usage

Based on 10 ft of 0.25 in ID hose at an initial line pressure of 50 PSIG



Western reserves the right to make design changes without notice

For additional technical information or assistance in ordering, please contact Western Customer Service at 1.800.783.7890 or 440.871.2160