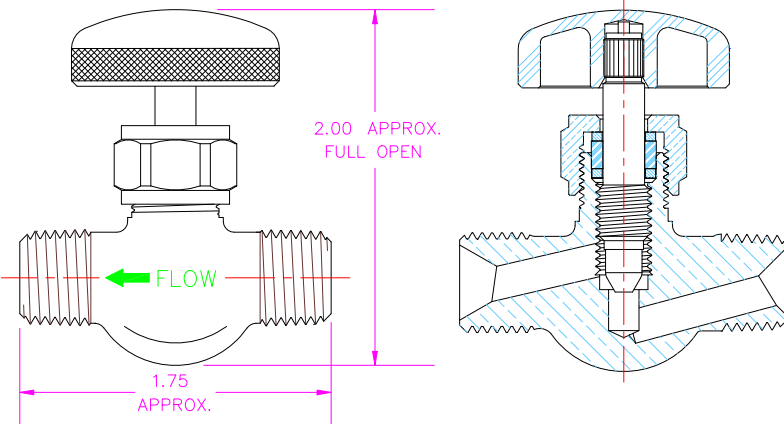


2XX Series Valve

Brass Shut-off Valve



GAS CONTROL TECHNOLOGY



Maximum Inlet Pressure (PSIG)	Part Number	Inlet x Outlet - (CGA)
	200 PSIG	203
204		B-size F Swivel LH x B-size M LH (023)
205		¼ MNPT x B-size M RH (022)
206		¼ MNPT x B-size M LH (023)
207		B-size M RH x ¼ MNPT (022)
208		B-size M LH x ¼ MNPT (023)
208-F		B-size M LH x ¼ FNPT (023)
209		B-size M RH x B-size M RH (022)
210		B-size M LH x B-size M LH (023)
215-AR		¼ MNPT x ⅝-18 F RH (032)
215-AL		¼ MNPT x ⅝-18 F LH (033)
215-FR	⅝-18 M Swivel RH x ⅝-18 F RH (032)	
3000 PSIG	211	¼ MNPT x ¼ MNPT
	217	¼ MNPT x ¼ FNPT
	218	¼ FNPT x ¼ MNPT
	218-D	¼ FNPT x ¼ FNPT

MATERIALS OF CONSTRUCTION

DESCRIPTION	Wetted Component	MATERIAL
Body	Y	UNS C37700 Brass
Knob	Y	UNS C36000 Brass
Stem	Y	UNS S30300 SST
Packing Nut	Y	UNS C36000 Brass
Seal Gasket	Y	PCTFE
Washers	Y	UNS C26000 Brass
Lubrication	Y	Krytox (GPL-206)

Shipping Weight: ~ 4.0 ozs

Outlet Orifice: Ø 0.156 inches

Maximum Rated Pressure: per above table

Minimum Burst Pressure: 9,000 psig

Operating Temperature: -20° to 120° F

Number of Rotations: ~2 ½

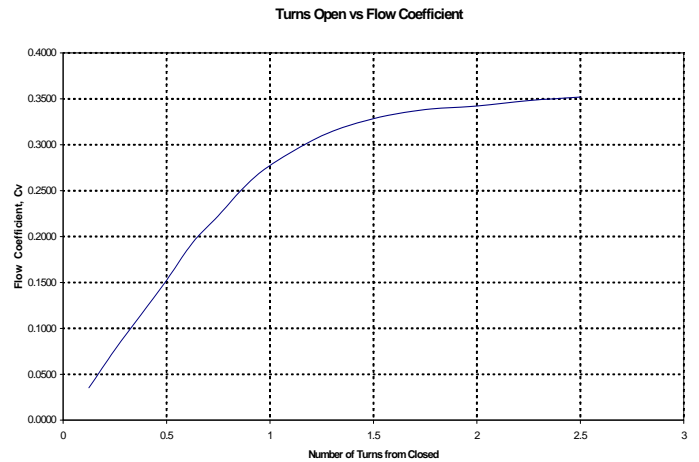
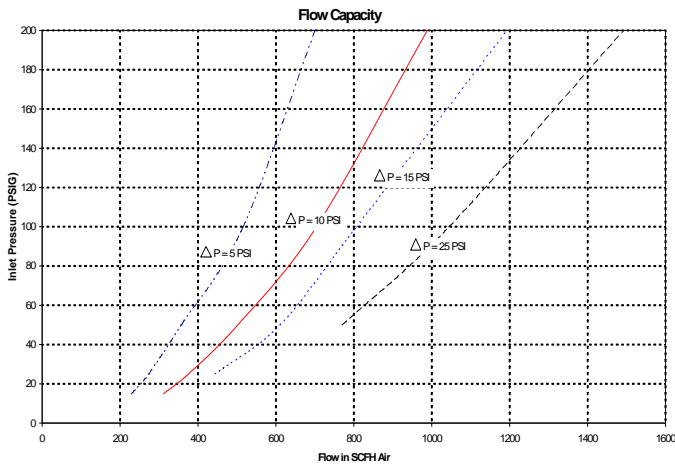
Rotations to Full Open: ~ 1 ¾

Full Open Flow Coefficient, Cv: 0.35

Max Allowable Leakage (Internal and External): 2.2 X 10⁻³ scc/sec

Packing may require periodic tightening

Operating Torque: 2 in-lbs at 200 PSIG Inlet



5 in-lbs at 3000 PSIG Inlet

Maximum Closing Torque: 30 in.lbs.

Western reserves the right to make design changes without notice.

For additional technical information or assistance in ordering, please contact Western Customer Service at 1.800.783.7890 or 440.871.2160